

TGM 13.290

15.290 4x4

□ Engine

MAN D0836, Euro 5 standard engine.
Exhaust Gas Recirculation with catalyst exhaust.
(No additive or DPD regeneration required).
Electronically controlled Common Rail fuel injection.
6-cylinder in-line engine, 6871cc.
One-piece, 24 valve cylinder head.
Power: 290Hp / 213kW at 2300rpm.
Torque: 1150Nm at 1200 to 1750rpm.
MAN Engine Valve Brake (EVB).
Twin turbocharging & intercooling.
Electronically speed limited.
1-cyl. Compressor, 238cc.
Clutch 395mm diameter.
Cruise control.
(Option of 250Hp/184kW engine - 1000Nm of torque).

□ Intake / Exhaust System

Raised air intake behind cab with pre-cleaner.
Down-swept exhaust muffler on R/H of chassis.

□ Gearbox

Automated ZF transmission 12-AS12100D.
12 forward speeds with 2 reverse ratios.
Automated constant-mesh gearbox with manual over-ride using fingertip gearchange control.
"M" setting for precise low speed manoeuvring in fwd & rev.
"X" setting for off-road gear change logic.
Optional Live Drive PTO.

□ Front Axle / Front Springs / Front Axle Load

MAN VP-06 permanently driven hub reduction front axle rated at 6300kg with differential lock.
Parabolic front springs rated at 6300kg with stabiliser.
Sealed for life hub units.

□ Rear Axle / Rear Springs / Rear Axle Load

MAN hub reduction axle with stabiliser.
Differential lock.
HP 0728 with single tyres on 13t version.
HP 0928 with dual tyres on 15t version.
Electronically controlled air suspension (ECAS) with 4 air bags.
Sealed for life hub units.
Axle ratio: 5.07.
Axle rating: 7,800kg on 13t version.
Axle rating: 9,500kg on 15t version.

Axle ratios available: 4.12, 4.59, 5.07, 5.70, 6.48.

□ Transfer Case

MAN G102 2 speed Transfer Case.
Low Ratio 1.6.
High Ratio 0.98.
Option: Dis-engageable drive to front axle.

□ Rims

Steel disc wheels 8-hole 11.75 x 22.5 on 13t version.
385/65R 22.5 single tyres all round on 13t version.
Steel disc wheels 8-hole 7.5 x 22.5 on 15t version.
11R 22.5 tyres (dual on rear) on 15t version.
Spare wheel and tyre supplied.
Wheel changing tools supplied.

□ Fuel Tank

300L steel fuel tank fitted to R/H of chassis.
Locking fuel cap.



EURO 5
With EGR

□ Frame

Ladder frame chassis with tubular cross members riveted & bolted.
High strength QsTe500 steel.
Flat-topped chassis rails for easy subframe mounting.
Chassis rail dimensions: 220mm x 70mm x 7mm.
Steel front bumper with protective grille for lights.

□ Steering

Fully adjustable steering wheel for height & inclination, pneumatic lock.
Multifunction steering wheel integrates with radio/CD player, cruise control & electronic dash display functions.

□ Cab Exterior

Cab "C" (Day) 1620mm long, 2240mm wide.
Forward control, all steel with extensive anti-corrosion treatment and optimal noise and heat insulation.
Rear-view mirrors heated and electronically adjustable.
Entry lighting for driver and co-driver.
Safety tested to ECE-R29.
Tinted laminated windscreen.
Tinted electric door windows.
Tinted external sunvisor.
Central locking.
Optional: Sleeper cab (L).
Sleeper cab with high roof (LX).
Crew cab with 4 doors (DK) +4 seats.

□ Cab Interior

Air suspended high comfort driver seat with lumbar support, arm rests & heating. Integrated seatbelt.
Fixed passenger seat with longitudinal & backrest adjustment
CFC-free air conditioning system.
Sunblinds to windscreen & both doors.
Storage box between seats, stowage on rear cab wall.
MAN radio / CD player.

□ Instruments

Electronic dash displaying vehicle messages and status reports in a full menu system.

□ 24 Volt Electrical System

Battery main switch, mechanical.
2 batteries 12V 88Ah.
Alternator 28V 80A 2240W.

□ Brake System

MAN electronic brake system (EBS).
Anti-lock braking system (ABS).
Disc brakes on front and rear axles.
BrakeMatic switch on dash to operate EVB with the brake pedal, when loaded.



Specification Data

GVM Max: 13,000kg • GCM Max: 28,000kg
GVM Max: 15,000kg • GCM Max: 28,000kg

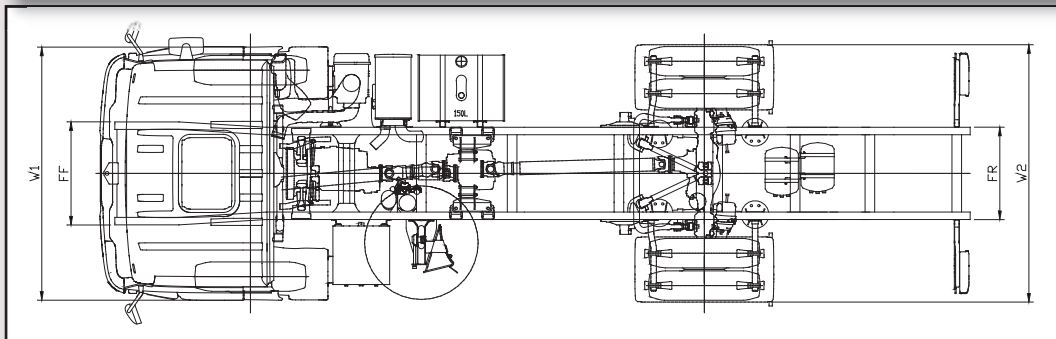
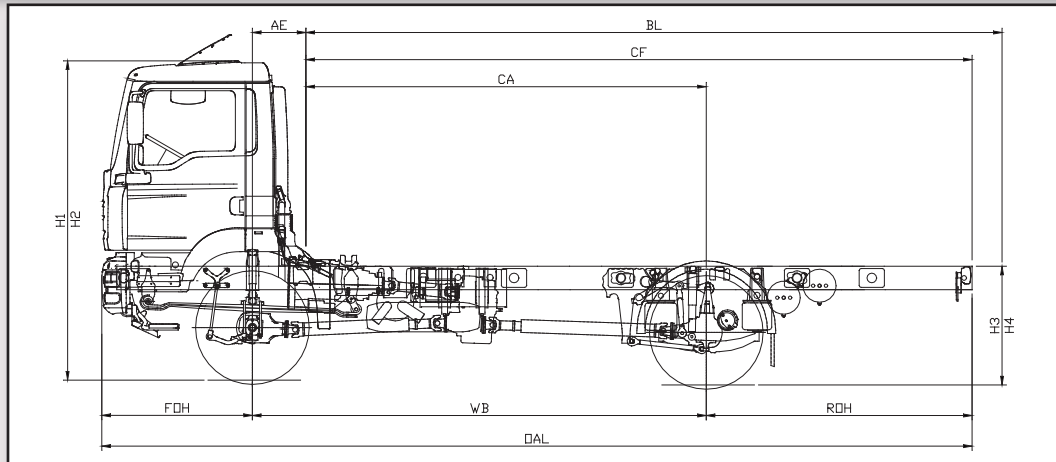
Weights kg:		Day Cab		
Model/Wheelbase (mm)		Front	Rear	Total
13.290 / 4250		3790	1795	5585
15.290 / 4250		3790	1995	5785
Weights kg:		Sleeper Cab		
Model/Wheelbase (mm)		Front	Rear	Total
13.290 / 4250		3960	1795	5755
15.290 / 4250		3960	1995	5955
Weights kg:		Crew Cab		
Model/Wheelbase (mm)		Front	Rear	Total
13.290 / 4250		4050	1940	5990
15.290 / 4250		4050	2150	6200

Turning Circle	
Wheelbase	4250
(Kerb to Kerb m)	16.1

Note: Cab/chassis weight calculated with spare tyre and wheel, toolkit and 100ltrs fuel.



Dimensions (mm)							(Max)	Empty	Loaded	Empty	Loaded			
Day Cab (C Cab)	FOH	ROH	OAL	AE	CA	CF	BL	W1	H1	H2	H3	H4	FF	FR
WB-4250	1400	2325	7975	475	3750	6100	6325	2377	3087	3013	1132	1112	964	864
Sleeper Cab (L Cab)														
WB-4250	1400	2325	7975	970	3280	5605	5830	2377	3087	3013	1132	1112	964	864
Crew Cab (DK Cab)														
WB-4250	1400	2325	7975	1620	2630	4955	5180	2377	3148	3086	1132	1112	964	864



1. All above weights & dimensions are subject to proper weight distribution.
2. State and Federal regulations over ride information supplied on this brochure.
3. Vehicle depicted in this specification sheet is for illustration purposes only.
4. Maximum BL (ROH) is calculated using 60% of WB or 3.7mt whichever is less (ensure sufficient chassis rail is available to comply with State regulations).
5. Specifications are subject to change without notice. Copyright © 2012 MAN Automotive Imports Pty Ltd.



MAN Automotive Imports Pty Ltd

72 Formation Street, Wacol, Qld 4076 • PO Box 301, Goodna, QLD 4300

Telephone: 07 3271 7777 • Facsimile: 07 3271 2720 • www.man.com.au